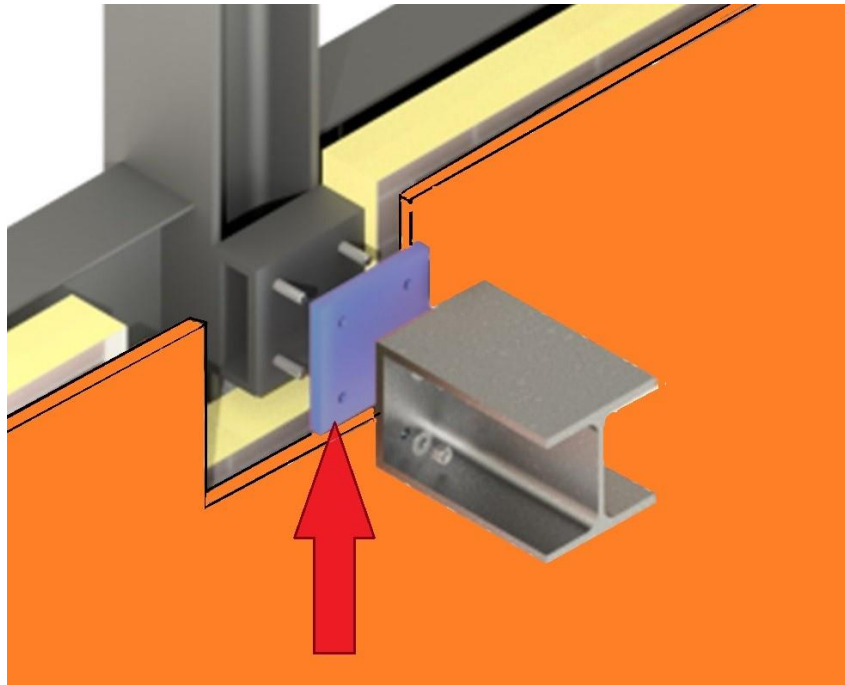


structural thermal breaks



Structural Thermal Breaks can be used in a wide variety of applications where there is a structural requirement of the thermal insulation:

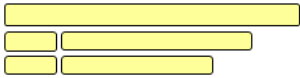
- **Steel to steel**
- **Steel to concrete / masonry**
- **Steel to timber**
- **Concrete to concrete**

Regarding thermally breaking;

There are two aspects to the thermal performance of the building; heat loss and condensation risk. The plate type thermal break is very simple to incorporate into most details. This flexibility provides the Designer with greater freedom to develop a solution.

We provide a variety of different materials in a variety of thicknesses (1 mm to 50 mm).

MOST DEFINED



structural thermal breaks

MOST DEFINED



questions and pricing:

Contact us in case you have questions regarding our structural thermal breaks. Or contact us in case you need a quote (if so please include a drawing).

info@mostdefined.com

We are happy to assist. Thank you very much!