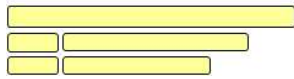
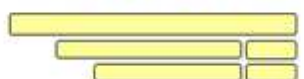


MOST DEFINED

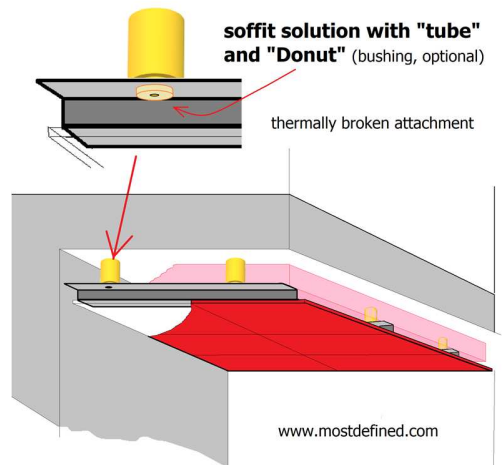
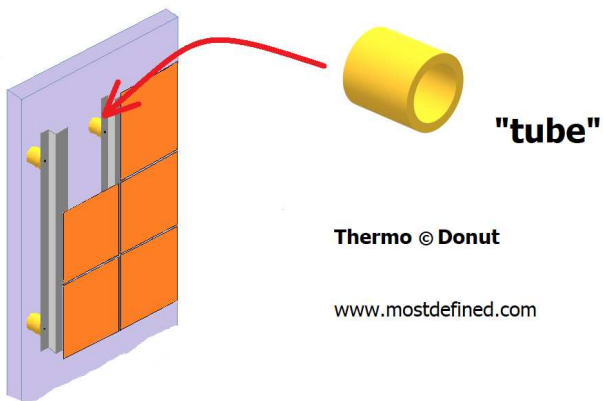


Thermo Donut © System

MOST DEFINED



different applications of "tube"



thermally broken facade attachment

